



FUSE DESIGNATIONS

SKODA YETI 1.2 TSI Petrol with DSG

- Engine Compartment -



Fuse Colours:
"Standard" Fuse

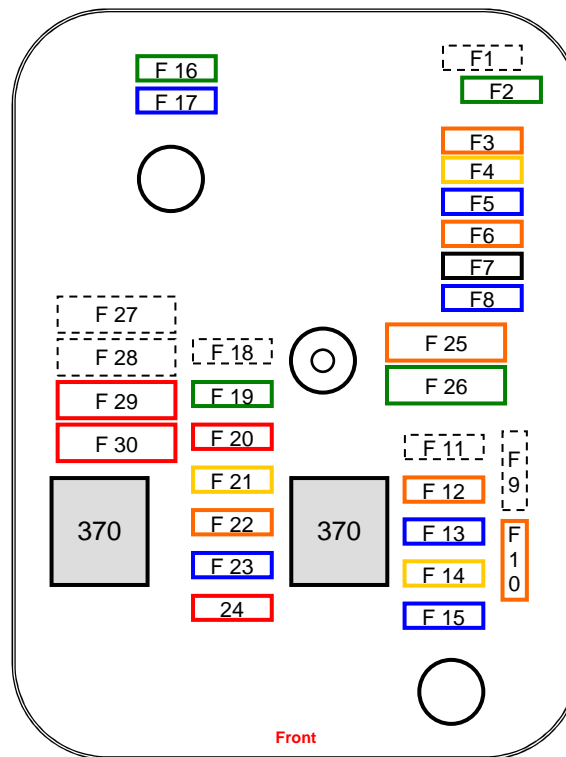
- Std. -

Colour	Amps
Violet	3
Lt. Brown	5
Brown	7.5
Red	10
Blue	15
Yellow	20
Clear	25
Green	30

Fuse Colours:
"Maxi" Fuse

- Maxi -

Colour	Amps
Yellow	20
Green	30
Orange	40
Red	50
Blue/Aqua	60
Clear	80



Engine Compartment Fuse Box

Fuse	AMPs	Colour	Designation / Circuit
F1	N.A.		Not Assigned (N.A.)
F2	30	Green	Control Unit for Automatic Gearbox DQ200
F3	5	Lt. Brown	Measuring Circuit
F4	20	Yellow	ABS Control Unit
F5	15	Blue	Control Unit for Automatic Gearbox
F6	5	Lt. Brown	Instrument cluster, Windshield wiper lever & turn signal light lever
F7	40	Orange	Power supply terminal 15, Starter
F8	15	Blue	Radio
F9	N.A.		Not Assigned (N.A.)
F10	5	Lt. Brown	Engine control unit, Main relay
F11	N.A.		Not Assigned
F12	5	Lt. Brown	Control unit for CAN databus
F13	15	Blue	Engine control unit (ECU)
F14	20	Yellow	Ignition
F15	10	Red	Lambda probe, Fuel pump relay
F16	30	Green	Central Control unit, right main headlight, right rear light unit
F17	15	Blue	Horn
F18	N.A.		Not Assigned
F19	30	Green	Front window wiper
F20	10	Red	Control valve for fuel pressure
F21	20	Yellow	Lambda probe
F22	5	Lt. Brown	Brake pedal switch
F23	15	Blue	High pressure fuel pump
F24	10	Red	Activated charcoal filter, exhaust gas recirculation valve
F25	40	Orange	ABS control unit
F26	30	Green	Central Control unit, left main headlight, left rear light unit
F27	N.A.		Not Assigned (N.A.)
F28	N.A.		Not Assigned (N.A.)
F29	50	Red	Interior power supply
F30	50	Red	Terminal X* (* automatically turned off during starting)



FUSE DESIGNATIONS

SKODA YETI 1.2 TSI Petrol with DSG

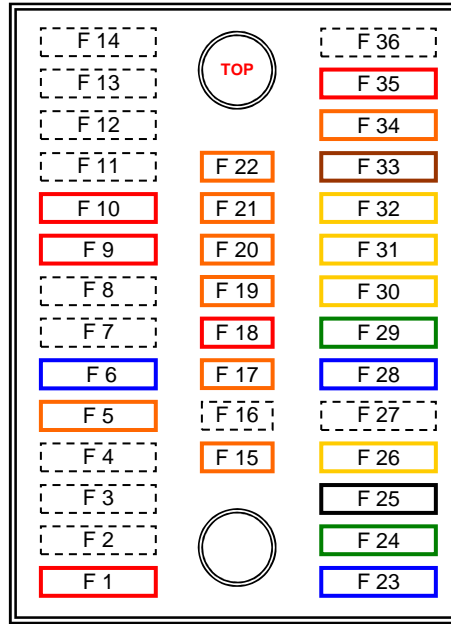


- Dashboard Fuses -

Fuse Colours:
"Standard" Fuse

- Std -

Colour	Amps
Violet	3
Lt. Brown	5
Brown	7.5
Red	10
Blue	15
Yellow	20
Clear	25
Green	30



Fuse Colours:
"Mini" Fuse

Mini.

Colour	Amps
Violet	3
Lt. Brown	5
Brown	7.5
Red	10
Blue	15
Yellow	20
Clear	25
Green	30

Dashboard Fuse Box			
Fuse	AMP ^s	Colour	Designation / Circuit
F1	10	Red	Control Unit; Auto Gearbox DQ200
F2	N.A.		Not Assigned (N.A.)
F3	N.A.		Not Assigned (N.A.)
F4	N.A.		Not Assigned (N.A.)
F5	40	Orange	Heating fan, Radiator fan, Air Con. System, Climatronic.
F6	15	Blue	Rear window wiper
F7	N.A.		Not Assigned (N.A.)
F8	N.A.		Not Assigned (N.A.)
F9	10	Red	Central Control Unit – Interior lighting, Rear fog light
F10	10	Red	Light switch, Diagnostic socket
F11	N.A.		Not Assigned (N.A.)
F12	N.A.		Not Assigned (N.A.)
F13	N.A.		Not Assigned (N.A.)
F14	N.A.		Not Assigned (N.A.)
F15	5	Lt. Brown	Light switch
F16	N.A.		Not Assigned (N.A.)
F17	5	Lt. Brown	Control unit for headlamp beam adjustment
F18	10	Red	Diagnostic socket, Engine control unit (ECU), Brake sensor
F19	5	Lt. Brown	Control unit; ABS & ESP, Tyre Pressure Control / Monitor, Park Assist
F20	5	Lt. Brown	Switch & Control Unit for airbags
F21	5	Lt. Brown	WIV, Parking light, Pressure sensor, Air Mass meter
F22	5	Lt. Brown	Instrument Cluster, Control Unit; electromechanical power steering.
F23	15	Blue	Central locking system and bonnet lid.
F24	30	Green	Rear Power windows.
F25	25	Clear	Rear Window heater
F26	20	Yellow	Power Socket in Boot.
F27	N.A.		Not Assigned (N.A.)
F28	15	Blue	Fuel Pump relay, fuel pump control unit, injection valves.
F29	30	Green	Front power windows.
F30	20	Yellow	Front & Rear lighter.
F31	20	Yellow	Headlight cleaning system.
F32	20	Yellow	Front seat heating, regulator for seat heating.
F33	7.5	Brown	Heating, Climatronic.
F34	5	Lt. Brown	Alarm, spare horn.
F35	10	Red	Control unit for automatic gearbox DQ200.
F36	N.A.		Not Assigned (N.A.)



BULB TYPES

SKODA YETI 1.2 TSI Petrol with DSG

12 volt Tungsten / Halogen Lamps



Designation	Bulb	Watts	Comments:
Front Headlight:			
Low Beam	H4	55	Twin Filament 60/55 – Halogen Lamp
Main Beam		60	
Fog Lights	H7	55	Single Filament - High intensity
Daylight Driving Light	P13W	13	High intensity - long life – Halogen Lamp
Turn Signal (indicators)	HPC24WY		No information available – Refer to dealer
Parking Light	W5W	5	Sometimes called "T10" - Old designation: W10/5
Rear Light Cluster:			
Brake Light	P21W	21	Old designation: P25-1
Reversing Light	P21W	21	
Rear Fog Light	P21W	21	
Turn Signal (indicators)	PY21W	5	Yellow Lamp
Parking (Side) Light	W5W	5	Sometimes called "T10" - Old designation: W10/5
Other Lights:			
Front Interior Light	W5W	5	Sometimes called "T10" - Old designation: W10/5
Reading Light	W5W	5	
Luggage Compartment (Boot)	W5W	5	
Door Open Warning Light	W5W	5	
Licence Plate Light	C5W	5	"Festoon" Type - Old designation: C11
Rear Interior Light	C5W	5	
Passenger Glove Box Light	C5W	5	
3 rd (High Level) Brake Light	LED	ma	Multiple Red LED ^s

TYRE PRESURES

225 / 50 - R17

(Dunlop Sport SP 01 W94)

TIGHTEN WHEEL NUTS TO 120 Nm / 88.5 Ft. P

FRONT

REAR

NORMAL LOAD

BAR
2.1

PSI
30.5

BAR
2.1

PSI
30.5

FULLY LOADED

BAR
2.3

PSI
33.4

BAR
2.9

PSI
42.1