

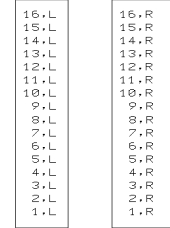
REVISIONS C

DRAWN JK

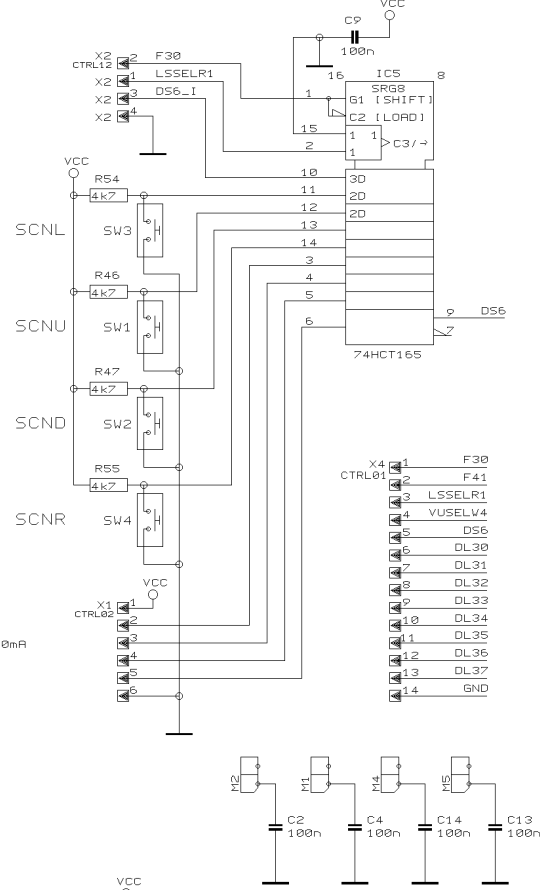
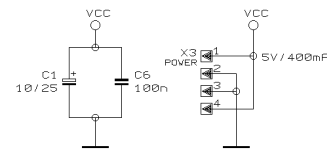
CHECKED

DATE 02.04. 2
14:13

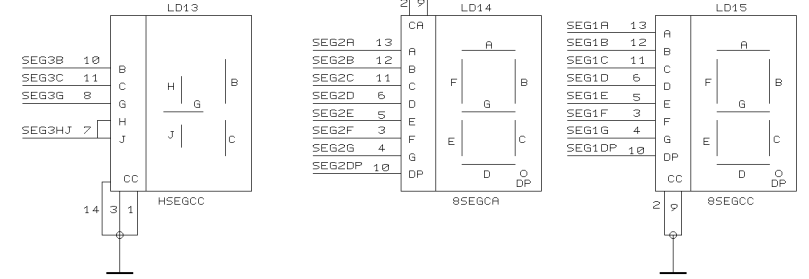
CTRL04



LEFT RIGHT



7 SEGMENT 2,5 DIGIT



PROJECT CTRL04
MODEL DDX3216
SWITCH SCENE/MASTER VU
SHEET 1 OF 1 SHEETS TOTAL